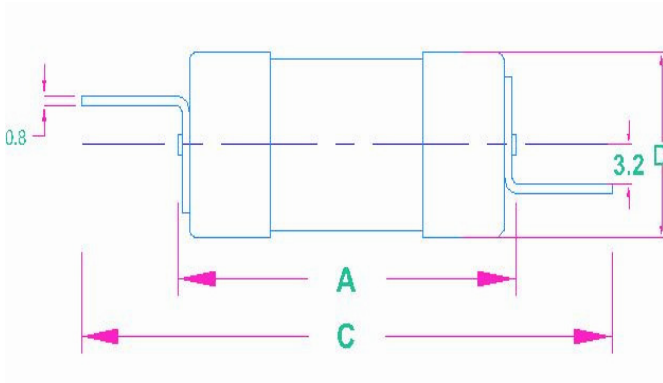
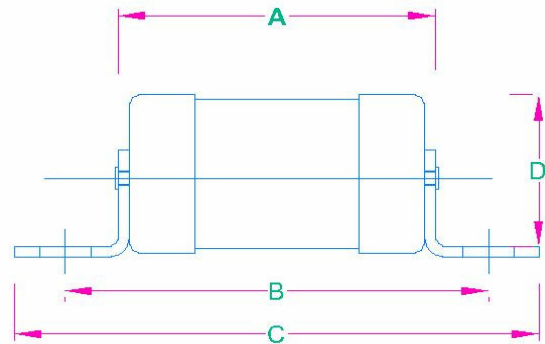


## INDUSTRIAL AND GENERAL PURPOSE LT HRC FUSE LINK

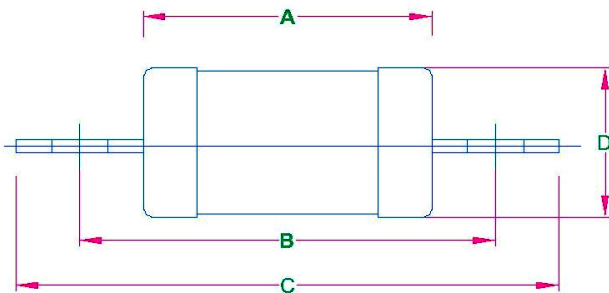
### 1 .BOLTED TYPE TAG VERSION



I) STAGGERED TYPE



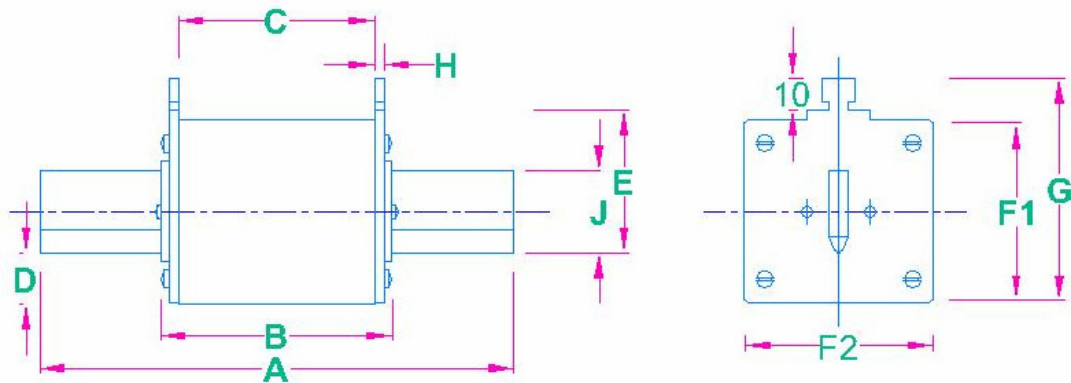
II) OFFSET TYPE



III) CENTRAL TAG

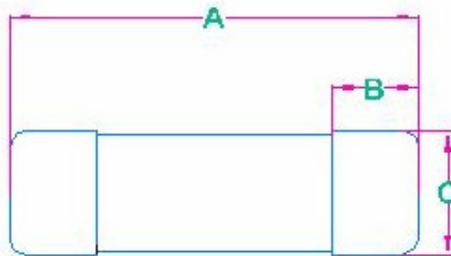
RATINGS IN AMPS	TYPE REF	DIMENSIONS IN MM					TYPE OF TAG ARRANGEMENT
		A MAX	B NOM	C MAX	D MAX	E	
2,4,6,10,16,20,25,32	FE01	36.5	---	56.0	13.5		STAGGERED BLADE
2,4,6,10,16,20,25,32	FE02	36.5	44.5	56.0	13.5		OFFSET
2,4,6,10,16,20,25,32	FG01	57.0	73.0	86.0	21.7		OFFSET
36,40,50,63	FK01	58.0	73.0	91.0	27.0		OFFSET
80,100	FL01	70.0	111.0	138.0	37.0		CENTRAL
80,100	FL02	70.0	97.0	116.0	37.0		CENTRAL OFFSET
80,100	FL03	70.0	94.0	111.0	37.0		OFFSET
125,150,160,200	FM01	77.0	111.0	138.0	42.0		CENTRAL
125,150,160,200	FM02	77.0	94.0	111.0	42.0		CENTRAL
225,250,315	FN01	77.0	111.0	138.0	61.0		CENTRAL
350,400	FN02	77.0	111.0	138.0	61.0		CENTRAL
225,250,315	FN03	77.0	133.0	159.0	61.0		CENTRAL
350,400	FN04	77.0	133.0	159.0	61.0		CENTRAL
350,400	FN05	77.0	133.0	212.0	61.0	26	CENTRAL

## 2. KNIFE BLADE TYPE DIN VERSION



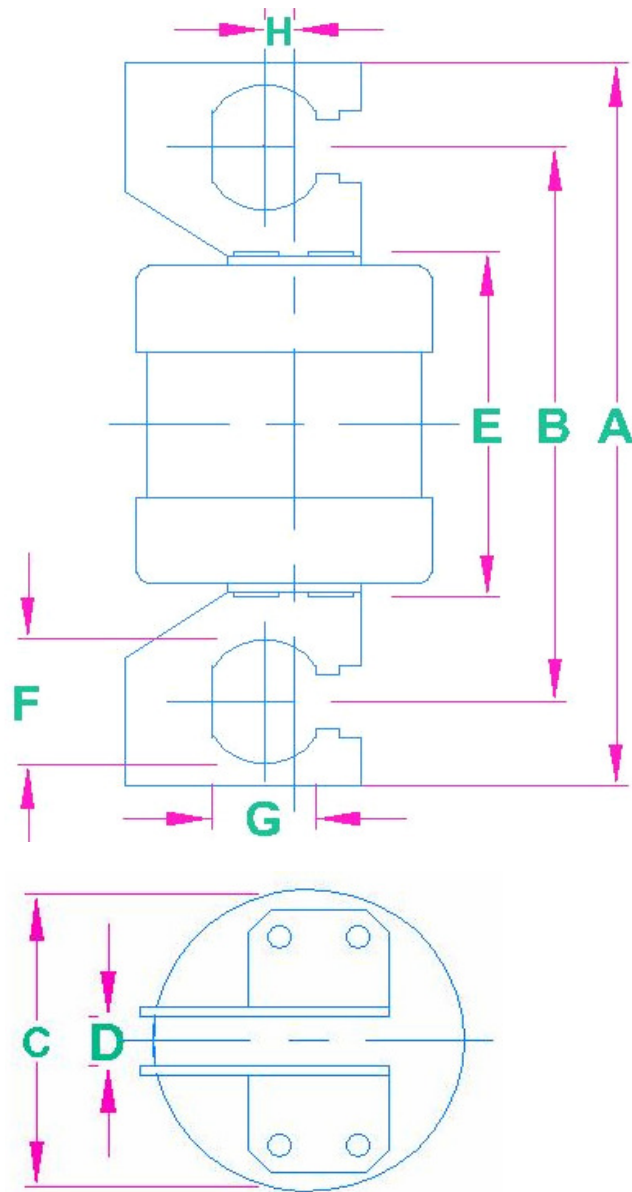
RATINGS IN AMPS	TYPE REF	SIZE	DIMENSIONS IN MM									
			A	B	C MAX	D	E	F-1	F-2	G	H	J
2,4,6,10,16,20,25,32, 36,40,50,63,80,100	FNH00	00	78	53	46.5	15	35	45	28	57	2	15
100,125,160,200	FNH1	1	135	71	64.5	15	40	40	45	62	2	20
225,250,300,350,400	FNH2	2	150	71	64.5	15	48	48	59	71	5	26

## 3. HOUSE SERVICE/FERRULE TYPE FUSES



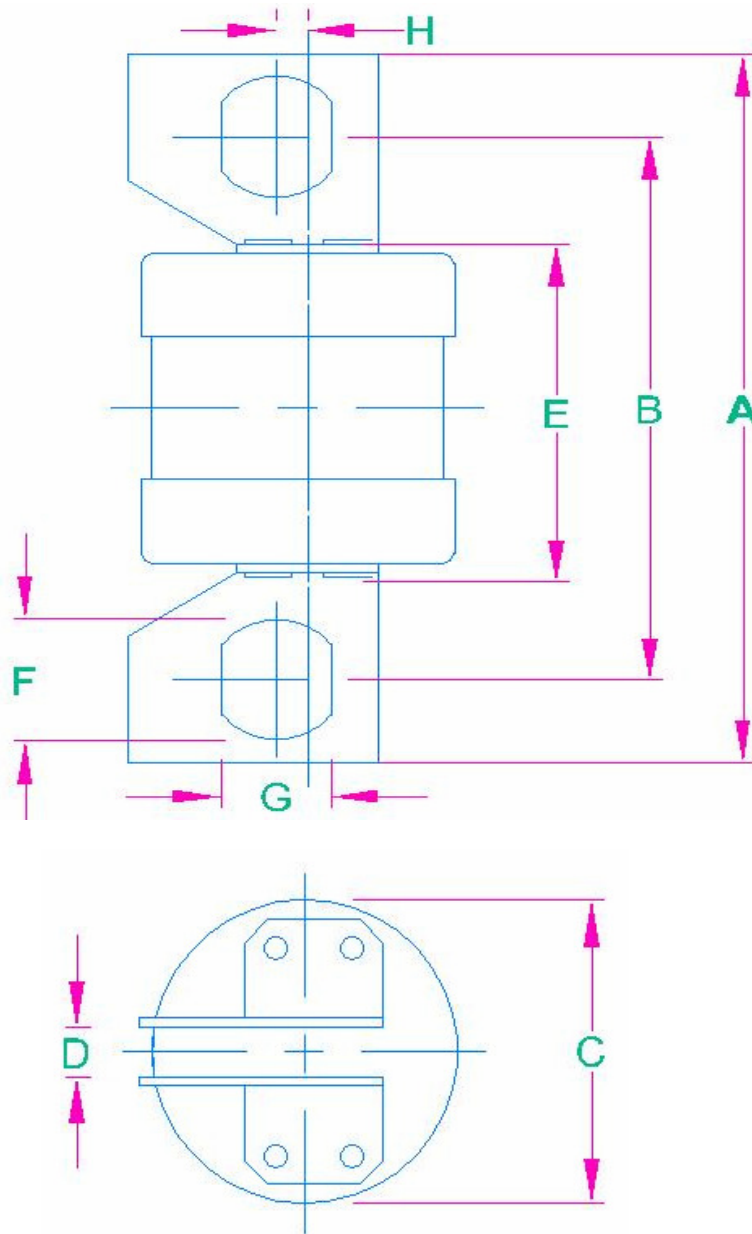
RATING IN AMPS	TYPE	SIZE	DIMENSIONS IN MM		
			A	B	C
5 TO 25	FEFRD	10X38	38	10	10
5 TO 50	FEFRH	14X51	50.8	14.3	12.7
5 TO 100	FKFRH	22X56	57	22.2	16
80-100	FLFRH	30X56	57	30.16	16

4 A) WEDGE TYPE LT HRC FUSES-SLOTTED TYPE TAG



Rating (inAmps)	Type Ref	A (Max) mm	B (Nom) mm	C mm	D mm	E (Max) mm	F mm	G mm	H mm
20A to 250A	20FMJ29-250FMJ29	100	76	39.7	4	48	13.5	11	9.5
20A to 300A	20FMJ30-300FMJ30	112	82	39.7	6.5	48	17.5	14	4
350A to 400A	350FPJ30-400FPJ30	112	82	49	6.5	48	17.5	14	10
20A to 300A	20FMJ31-300FMJ31	132	92	39.7	8	48	21	17.5	9.5
350A to 400A	350FPJ31-400FPJ31	132	92	49	8	48	21	17.5	1.6

B) WEDGE TYPE LT HRC FUSES- NON-SLOTTED TYPE TAG



Rating (inAmps)	Type Ref	A (Max) mm	B (Nom) mm	C mm	D mm	E (Max) mm	F mm	G mm	H mm
20A to 250A	20FMJ26-250FMJ26	100	76	39.7	4	48	13.5	11	9.5
20A to 300A	20FMJ27-300FMJ27	112	82	39.7	6.5	48	17.5	14	4
350A to 400A	350FPJ27-400FPJ27	11	82	49	6.5	48	17.5	14	10
20A to 300A	20FMJ28-300FMJ28	132	92	39.7	8	48	21	17.5	9.5
350A to 400A	350FPJ28-400FPJ28	132	92	49	8	48	21	17.5	1.6